

LUXMAN

ULTIMATE AUDIO CABLES

JPR-15000

JPC-15000

JPS-15000



The pure enjoyment of true sound— Exploit the full potential of your audio system

LUXMAN's flagship 15000 series cables have been engineered to optimize the wide range of breakthrough technologies developed, and know-how gained, from decades of experience in developing class leading audio amplifiers.

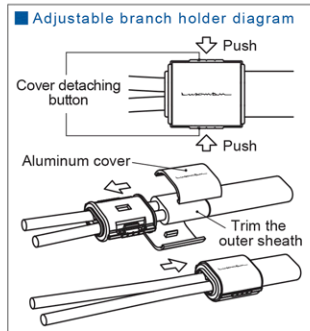
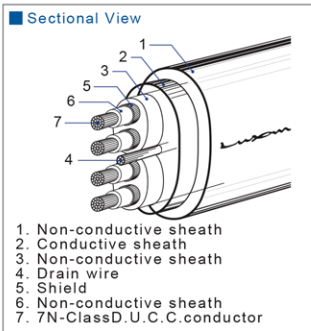
ULTIMATE AUDIO LINE CABLE



The LUXMAN 15000 series line cables feature a large diameter core utilizing high-purity 7N CLASS D.U.C.C. (99.99998%+ pure copper*) to ensure lower impedance. LUXMAN original technologies, such as a non-twisted structure of binding hot and cold lines in parallel to eliminate unwanted inductance, an integrated bound structure of the Left and Right channels to minimize unwanted ground loops and individual shielding for hot and cold transmission lines (reducing line-to-line capacitance by half) are also featured, resulting in an unconstrained and lively sound. The JPR-15000 features newly developed, easy to mount, high quality RCA terminals that are constructed of high conductivity materials. The JPC-15000 is fitted with genuine XLR terminals manufactured by Neutrik®. A newly developed, adjustable branch holder with an integral aluminum cover allows the length from the terminal to the holder to be easily adjusted without compromising the structural performance or appearance.

JPR-15000 Pin-code type line length 1.3m

JPC-15000 Cannon-code type line length 1.3m



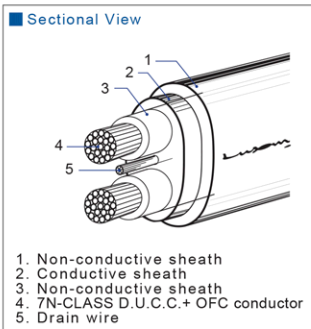
SPECIFICATIONS

Structure	Individually shielded 2-core, non-twisted structure
Core wire	High-purity copper (7N CLASS D.U.C.C.), $\Phi 0.26\text{mm} \times 19\text{pcs}$
Insulator / Sheath	Polyethylene (red, primary color)/PVC(blue)
Shielded wire	Oxygen-free copper (OFC) wire, $\Phi 0.18\text{mm} \times 38\text{pcs}$
Drain wire	Oxygen-free copper (OFC) wire, $\Phi 0.08\text{mm} \times 30\text{pcs}$
Conductor resistance	$18\text{m}\Omega/\text{m}$ or less (at 20°C)
Insulation resistance	$5000\text{M}\Omega/\text{m}$ or more (at 20°C)
Capacitance	$70\text{pF}/\text{m}$ or less
Withstand voltage	$1,000\text{VAC}$ (for 1 minute)
Cable outside diameter	$10.5\text{mm} \times 20\text{mm}$

ULTIMATE AUDIO SPEAKER CABLE

The LUXMAN 15000 series speaker cable features large diameter core utilizing high-purity 7N CLASS D.U.C.C. (99.99998%+ pure copper*) to ensure lower impedance. Each JPS-15000 conductor is comprised of 60 strands of 7N Class D.U.C.C. and 40 strands of Oxygen-free copper (OFC). This structure ensures crystal-clear, pure, relaxed high range characteristics and accurate, rich bass characteristics. The non-twisted structure of binding hot and cold lines in parallel eliminates unwanted inductance. JPS-15000 features newly developed, easy to mount, high quality Y-lug terminals constructed of high conductivity materials. A newly developed adjustable branch holder with integral aluminum cover allows the length from the terminal to the holder to be easily adjusted without compromising the structural performance or appearance.

JPS-15000 Speaker cable(pair) line length 3.0m



SPECIFICATIONS

Structure	Non-twisted construction
Core wire	High-purity copper (7N CLASS D.U.C.C.) wire $\Phi 0.26\text{mm} \times 60\text{pcs}$, Oxygen-free copper (OFC) wire, $\Phi 0.26\text{mm} \times 40\text{pcs}$
Insulator / Sheath	Polyethylene (red, primary color)/PVC(blue)
Drain wire	Oxygen-free copper (OFC) wire, $\Phi 0.08\text{mm} \times 30\text{pcs}$
Conductor resistance	$4\text{m}\Omega/\text{m}$ or less (at 20°C)
Insulation resistance	$5000\text{M}\Omega/\text{m}$ or more (at 20°C)
Capacitance	$86\text{pF}/\text{m}$ or less
Withstand voltage	$1,000\text{VAC}$ (for 1 minute)
Cable outside diameter	$10.5\text{mm} \times 20\text{mm}$
Y-lug Dimensions	a: 14.6mm b: 10.4mm c: 7.8mm

* 7N-Class D.U.C.C. (Dia Ultra Crystallized Copper) : Using the world's highest purity of copper, while keeping the same crystal size of conventional high-purity conductors, D.U.C.C. allows for an even higher grade conductor with optimized alignment of the crystal structure resulting in significantly improved conductivity dedicated for high end audio cables. D.U.C.C. is a registered trademark of Mitsubishi Cable Industries, Ltd.

LUXMAN

LUXMAN CORPORATION, 1-3-1 Shinyokohama, Kouhoku-ku, Yokohama-shi, Kanagawa 222-0033, Japan
Tel: +81-45-470-6980 Fax: +81-45-470-6997 www.luxman.com
LUXMAN reserves the right to alter the design and specifications without notice.
All rights reserved LUXMAN CORPORATION

⚠ Safety Cautions

To ensure correct use of this product, read the "Owner's Manual" prior to use. Failure to follow all safeguards can result in fire, electric shock, or other accidents.